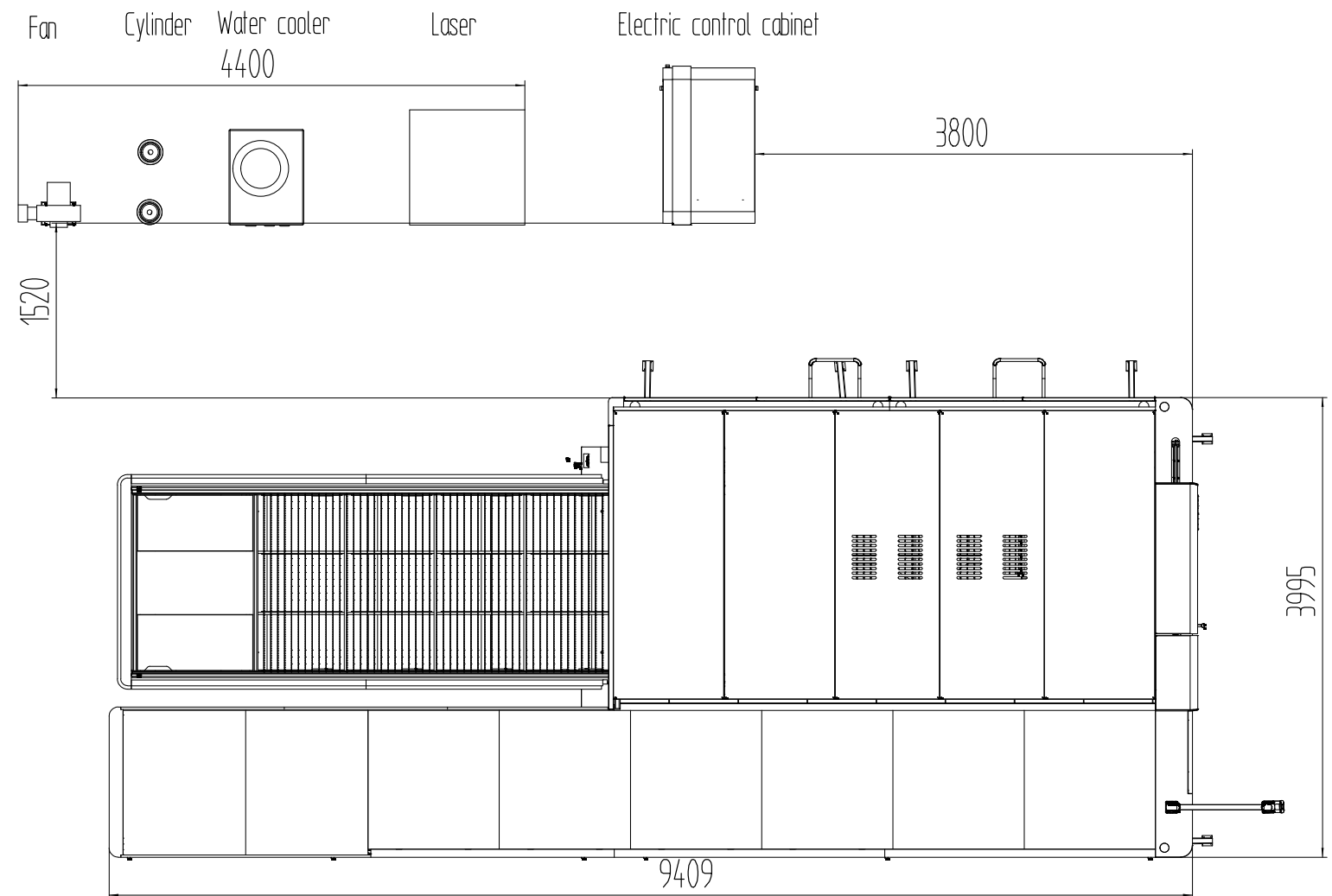
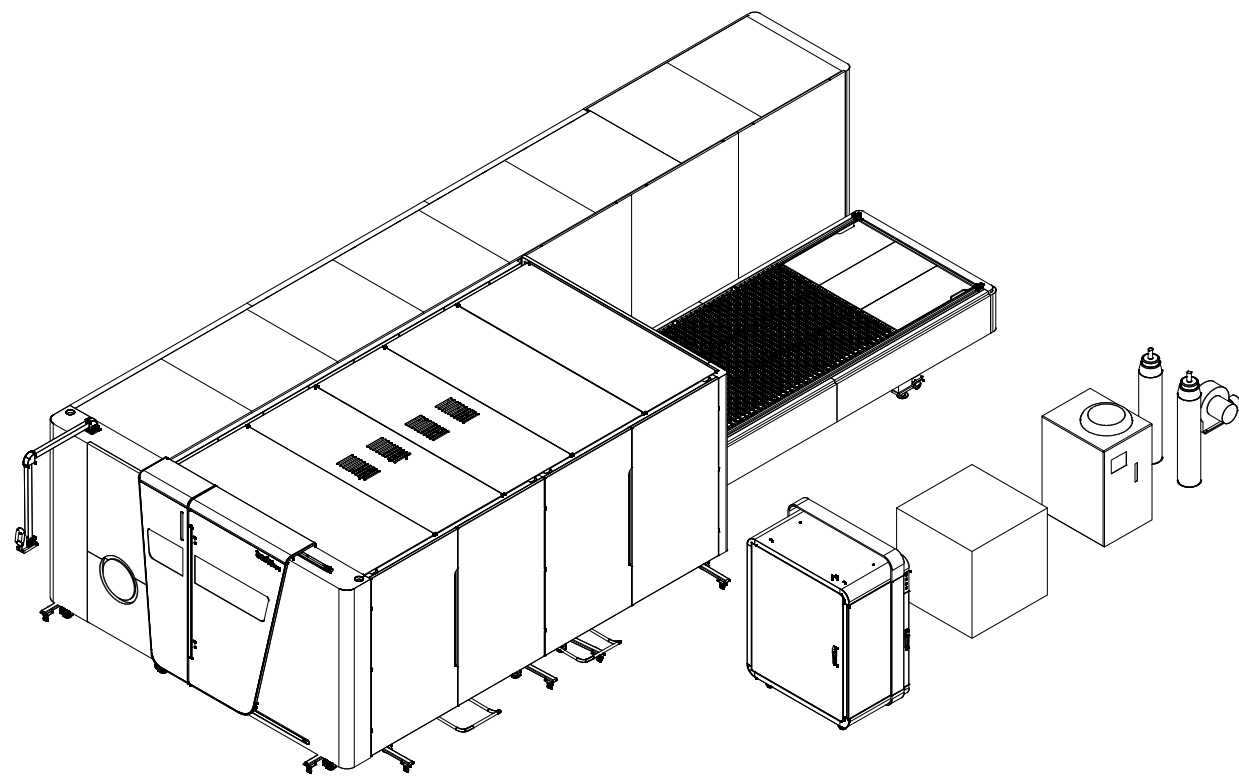
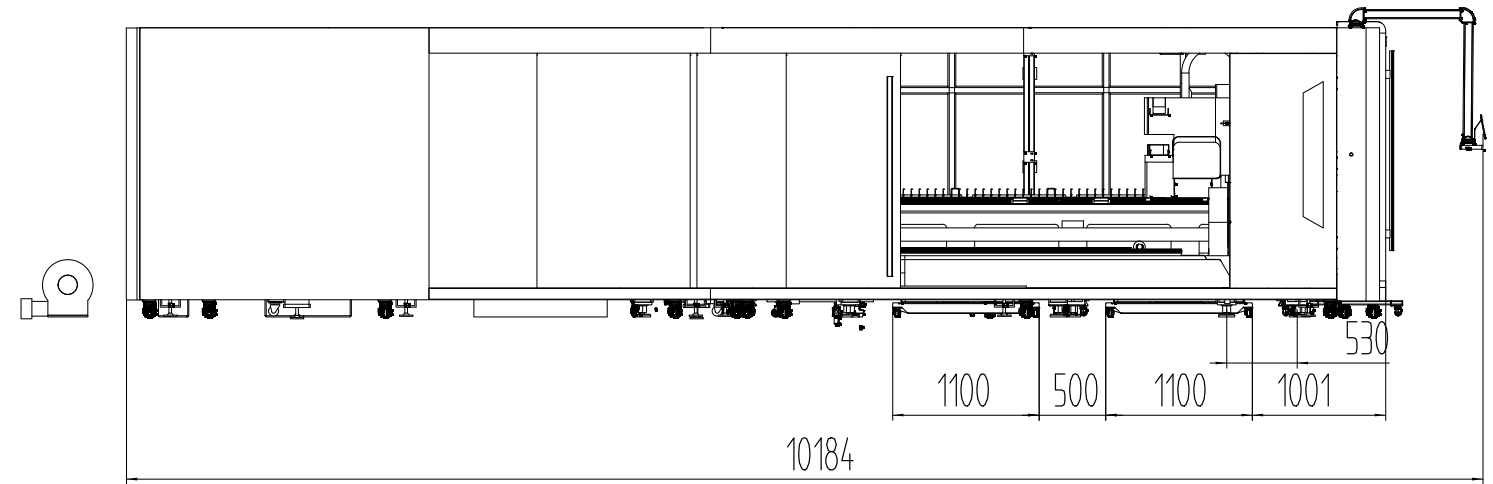
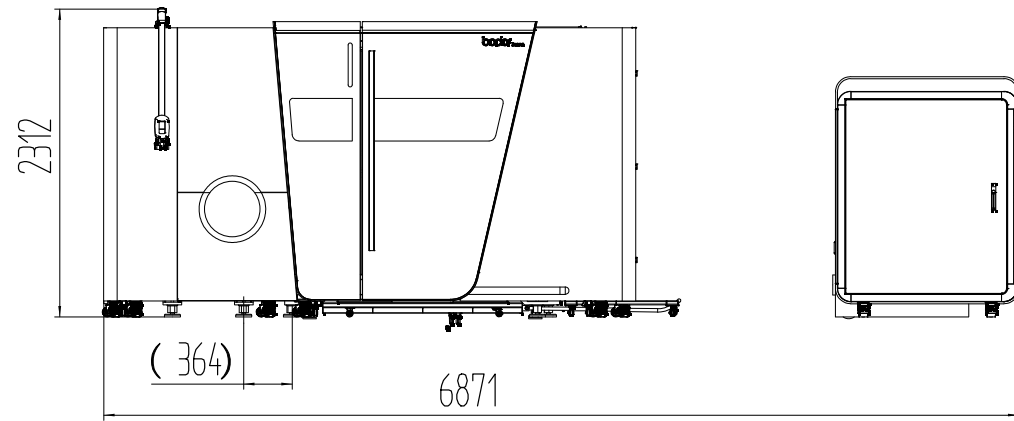


P3015T Site Layout



Installation requirements

1. The whole machine is at least 1m away from obstacles.
2. The whole machine should be away from the earthquake source.
3. The leveling of the whole machine should be less than 5 mm.
4. The whole machine's access voltage fluctuates within (+5%).
5. Fans and air sources should be placed in a position that does not affect their use.
6. Voltage regulator is non-standard equipment. If selected, please communicate with Technical Department.
7. The location of the equipment in this layout is for reference only. The actual emission depends on the actual situation of the site.

				LAYOUT		济南邦德激光股份有限公司	
设计	工艺	审核	审定	日期	比例	P3015T	
				120			
				共 1 页 第 1 页			